

NEW FLOOR PLAN

LEGEND

New/Extg. Wall	
Remove Wall	
Wall Outlet	
Ground Fault Outlet	
Weather Proof Outlet	
220v Outlet	
Switch	
Dimmer Switch	
Thermostat	
Telephone	
Incandescent Light	
Recessed Light	
Fluorescent Wrap	
Fluorescent Strip	
Smoke Detector	

P O Box 157, Chelsea, AL 35043
 (205) 669-3334 (205) 669-7264 fax

Drawings are property of OakAlley, Inc. protected by copyright law, and may not be reproduced without written permission. Plans are for documentation purposes only and are not to be used for construction except by OakAlley, Inc. No warranty is expressed or implied as to suitability for any other use.



Alterations for the Rose Hill Residence

1025 Street of Dreams, Birmingham, Alabama

Drawing Date:
23 MAR 2001

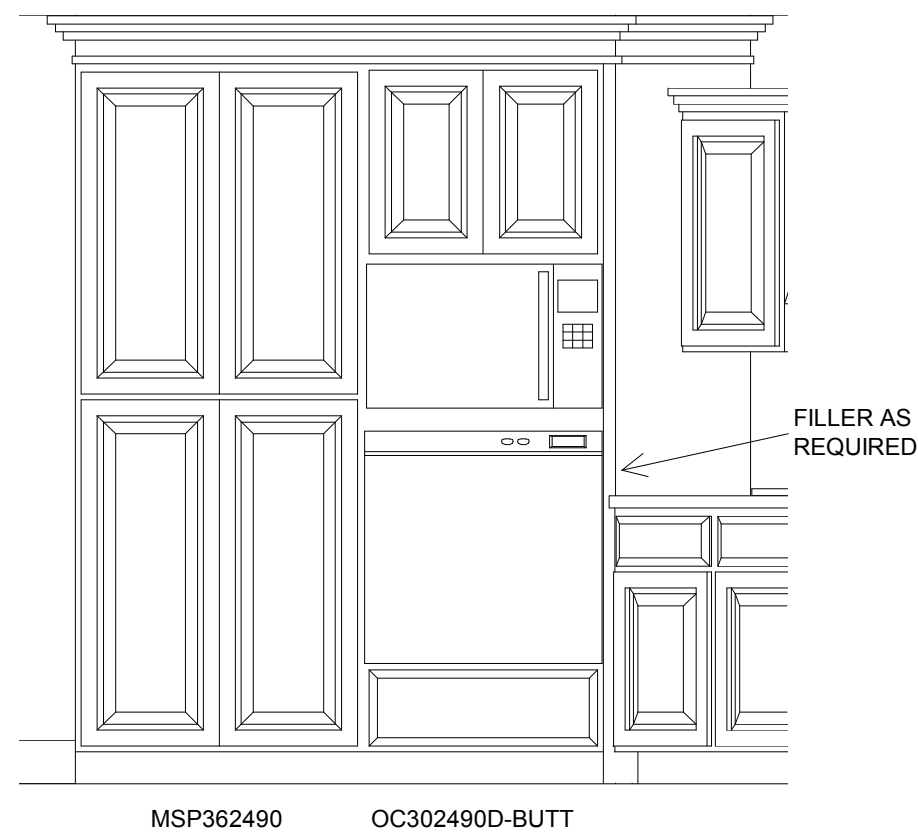
Revision Date:
31 MAY 2001

Job Number:
20560

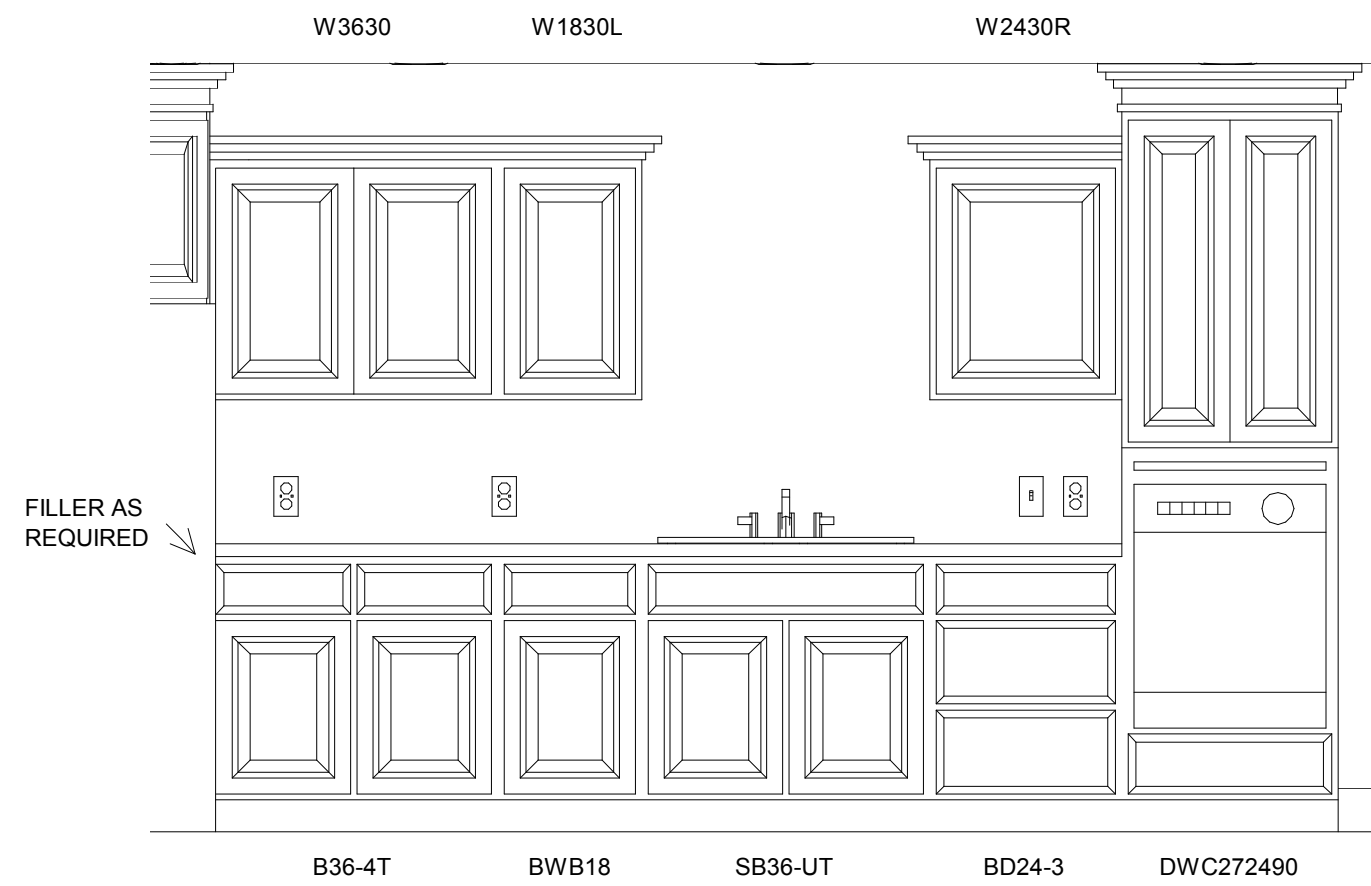
Scale:
1/4" = 1'-0"

Sheet:

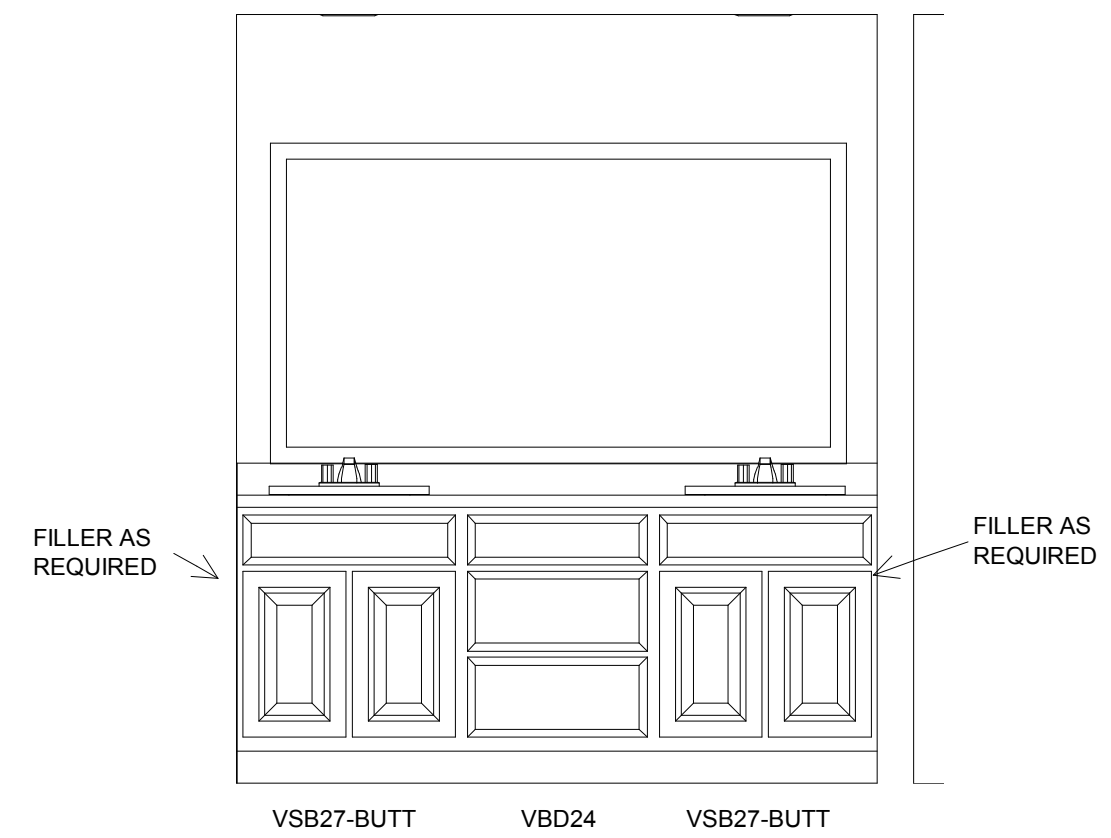
A3



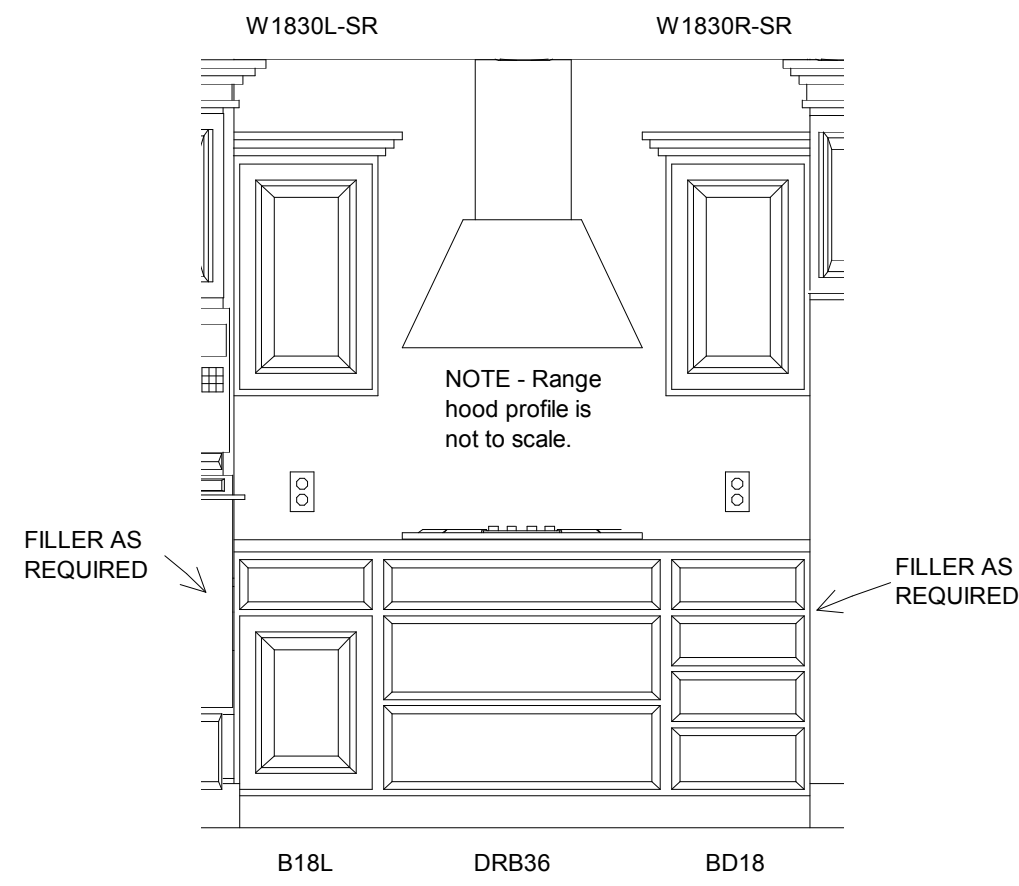
ELEV. 1



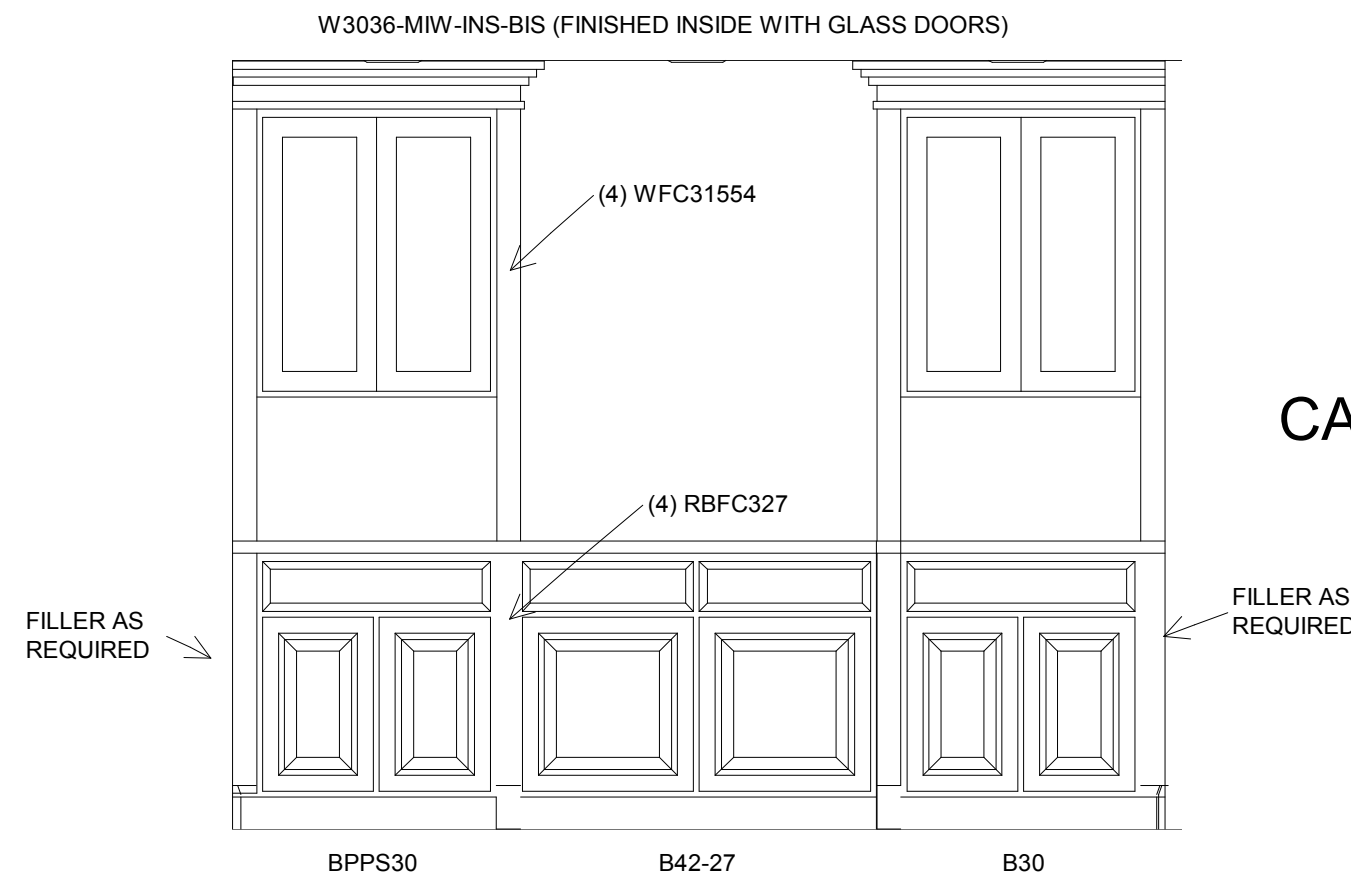
ELEV. 4



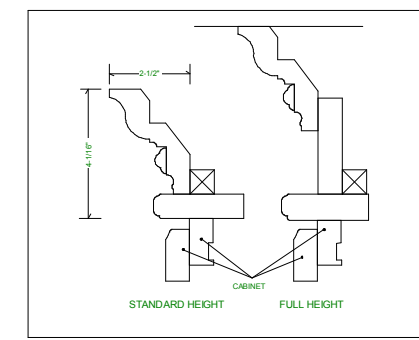
ELEV. 7



ELEV. 2

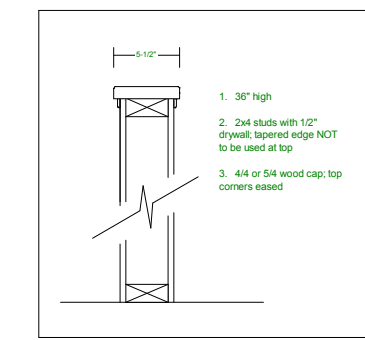


ELEV. 5



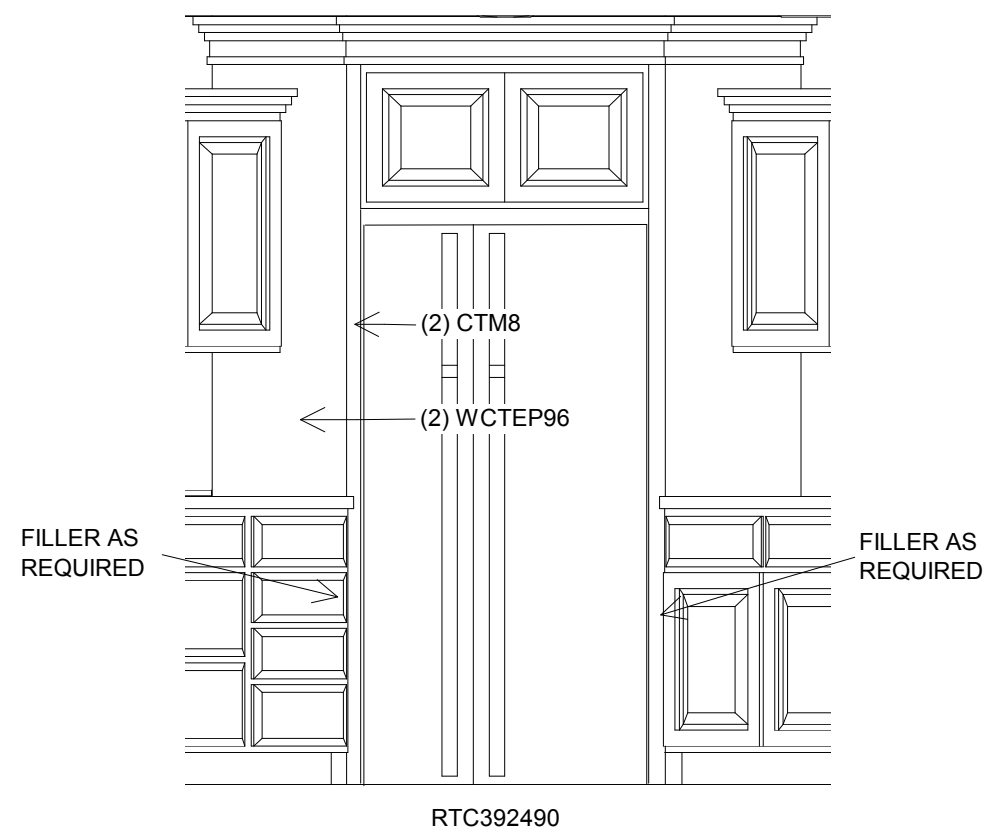
CABINET CROWN DETAIL

SCALE 1:6

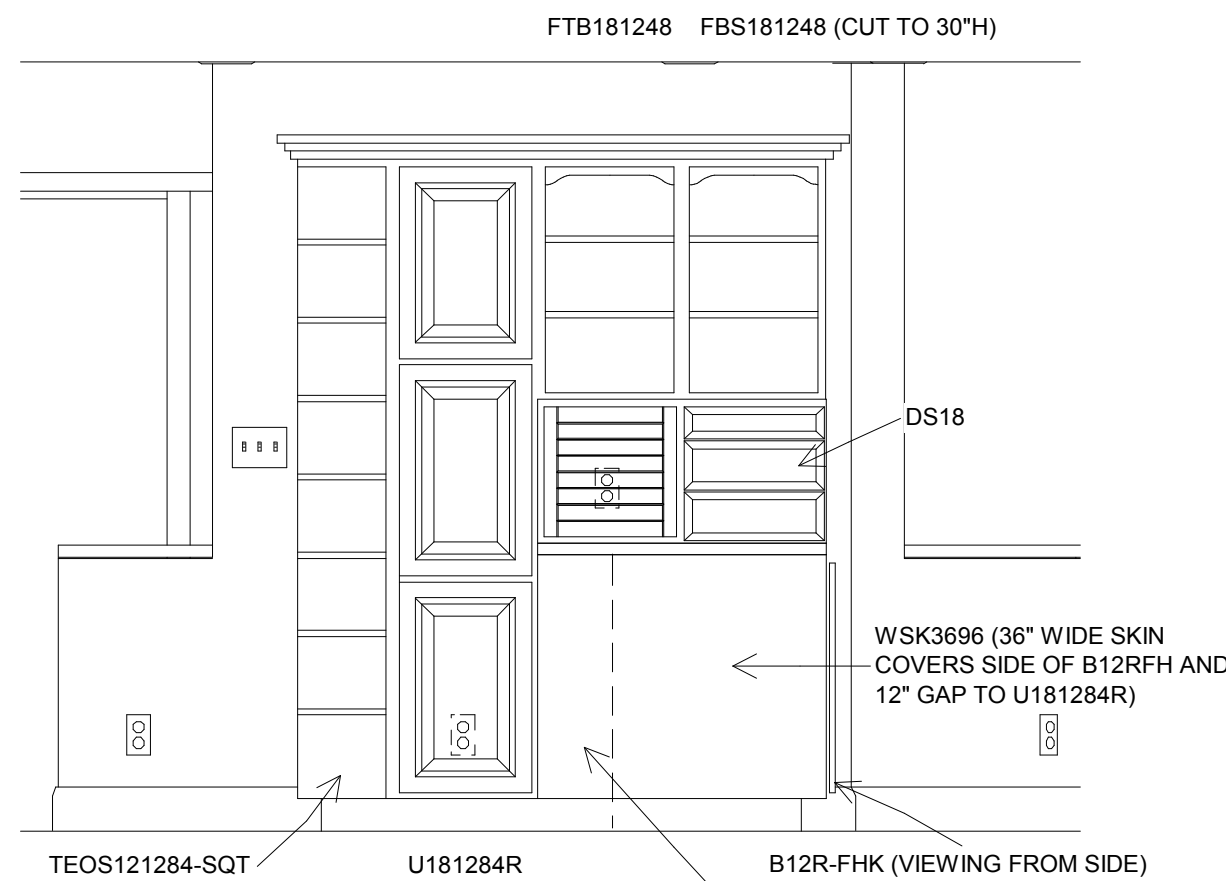


WALL RAIL DETAIL

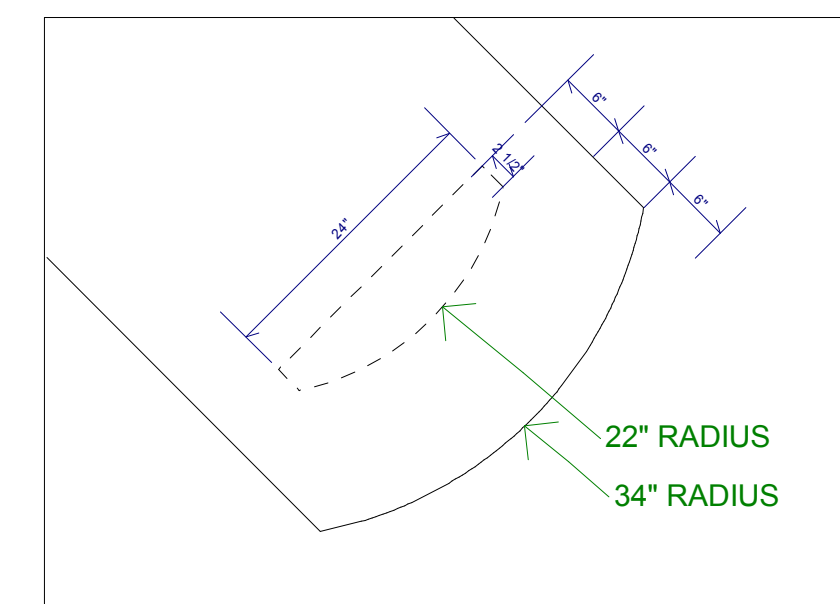
SCALE 3/4" = 1' - 0"



ELEV. 3

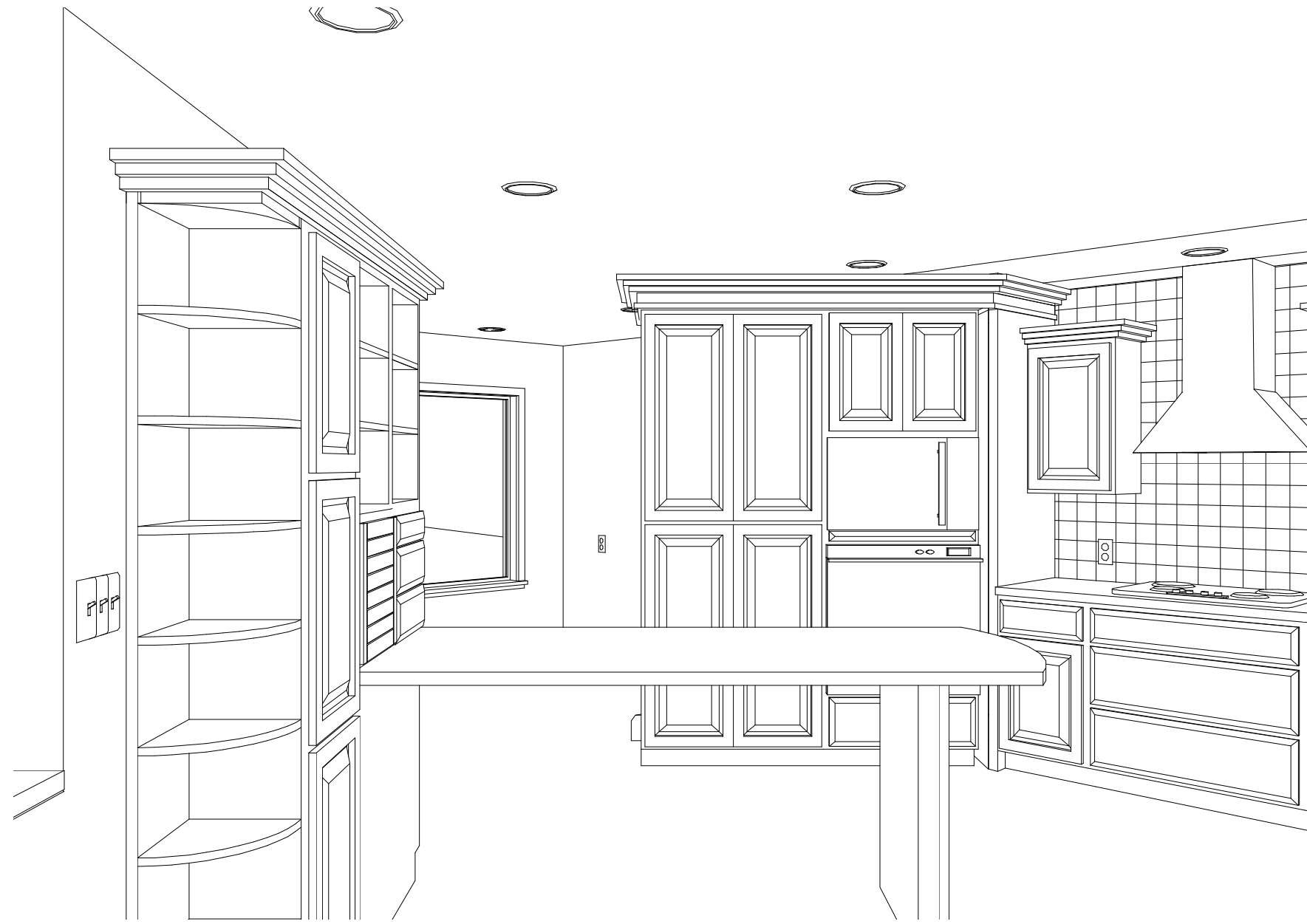


ELEV. 6



DETAIL OF BAR LEG

SCALE 3/4" = 1'-0"



P O Box 157, Chelsea, AL 35043
(205) 669-3334 (205) 669-7264 fax
Drawings are property of OakAlley, Inc. protected by
copyright law, and may not be reproduced without written
permission. Plans are for documentation purposes only
and are not to be used for construction except by
OakAlley, Inc. No warranty is expressed or implied as to
suitability for any other use.



Alterations for the Rose Hill Residence

1025 Street of Dreams, Birmingham, Alabama

Drawing Date:
23 MAR 2001
Revision Date:
26 APR 2001
Job Number:
20560
Scale:
NTS
Sheet:

A7